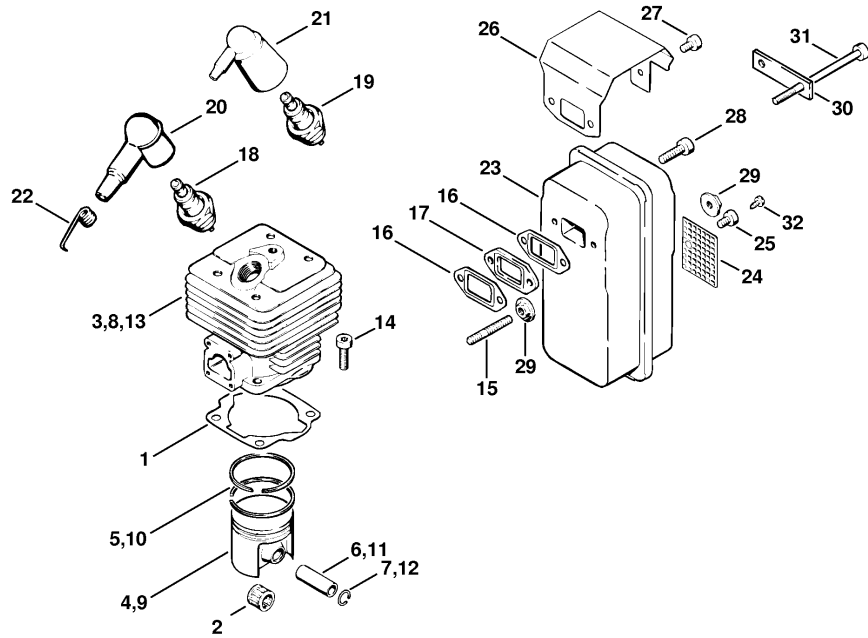


SECRETOR& SCS

Reference	Item number	Qty	Description
1	4201 020 2101	1	Crankcase □ 2 - 11
2	9371 470 3120	2	Cylindrical pin 6x20
3	9022 341 1010	5	Spline screw IS-M5x18
4	9022 341 0900	4	Spline screw IS-M5x28
5	0000 988 5200	1	Connector
6	1110 122 3900	1	Elbow connector
7	9456 621 3860	2	Circlip 35x1.5
8	9503 003 0341	2	Grooved ball bearing 6202
9	4201 350 5802	1	Tank vent □ 10, 11
10	1120 358 8105	1	Vent insert
11	1124 358 7706	1	Hose 155 mm / 6 1/8"
12	9640 003 1610	2	Oil seal 15x35x7
13	1108 030 0403	1	Crankshaft (25.2005)
14	1108 029 0500	1	Gasket
15	9482 435 0390	1	Woodruff key 3x3 7
16	9470 435 0900	1	Key 5x3x14
17	4201 713 3402	1	Bow
18	9074 478 4705	1	Pan head self-tapping screw IS-P6x40
19	* 9022 341 1220	1	Spline screw IS-M5x48 (47.1990)
20	* 9214 320 0700	1	Lock nut M5 (47.1990)
	4201 007 1050	1	Set of gaskets □ 12, 14

Drawing B Cylinder

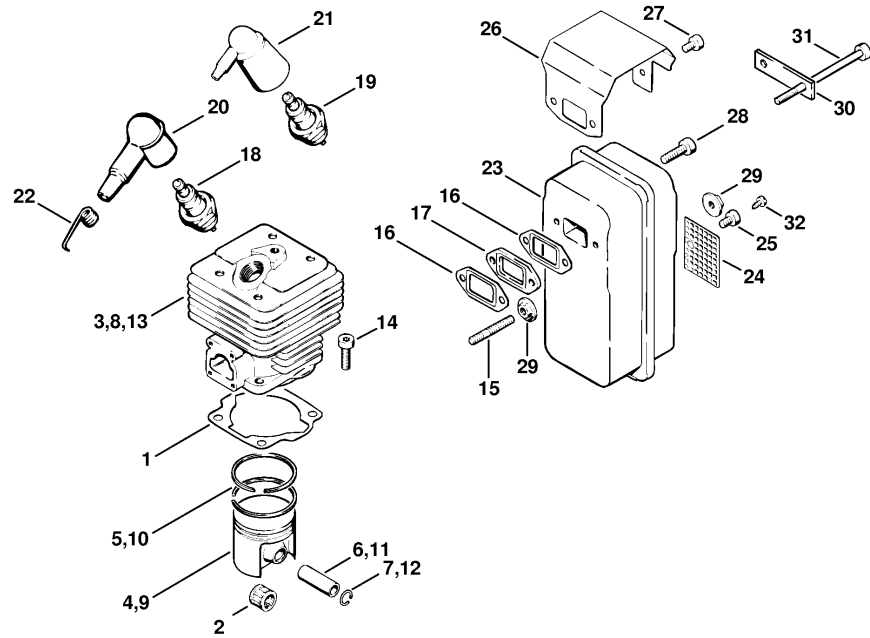


330ET043 GM

Drawing B Cylinder

Reference	Item number	Qty	Description
1	1108 029 2300	1	Cylinder gasket
2	9512 003 3140	1	Needle cage 12x16x13
3	4201 020 1200	1	Cylinder with piston Ø 49 mm □ 4 - 7
4	4201 030 2000	1	Piston Ø 49 mm □ 5 - 7
5	1127 034 3007	2	Piston ring Ø 49x1.5 mm
6	1108 034 1501	1	Piston pin 12x8x33
7	9463 650 1200	2	Snap ring 12x1
8 *	1108 020 1220	1	Cylinder with piston Ø 47 mm → X 17 451 128 (29.1987) □ 9 - 12
9 *	1108 030 2020	1	Piston Ø 47 mm → X 17 451 128 (29.1987) □ 10 - 12
10 *	1108 034 3001	2	Piston ring Ø 47x1.5 mm → X 17 451 128 (29.1987)
11	1108 034 1501	1	Piston pin 12x8x33
12	9463 650 1200	2	Snap ring 12x1
13	4201 020 1201	1	Cylinder with piston Ø 49 mm USA, CDN □ 4 - 7
14	9022 341 1300	4	Spline screw IS-M6x20
15	9121 347 1370	1	Stud M6x30
16	1108 149 0600	2	Muffler gasket
17	4201 141 1500	1	Flange
18	0000 400 7000	1	Spark plug NGK BPMR7A
18	1110 400 7005	1	Spark plug Bosch WSR 6 F
19 *	1107 400 7000	1	Spark plug Bosch WR 7 AC → X 17 451 128 (29.1987)
20	1106 405 1000	1	Spark plug boot
21 *	1108 405 1000	1	Spark plug boot → X 17 451 128 (29.1987)
22	0000 998 0603	1	Torsion spring

Drawing B Cylinder

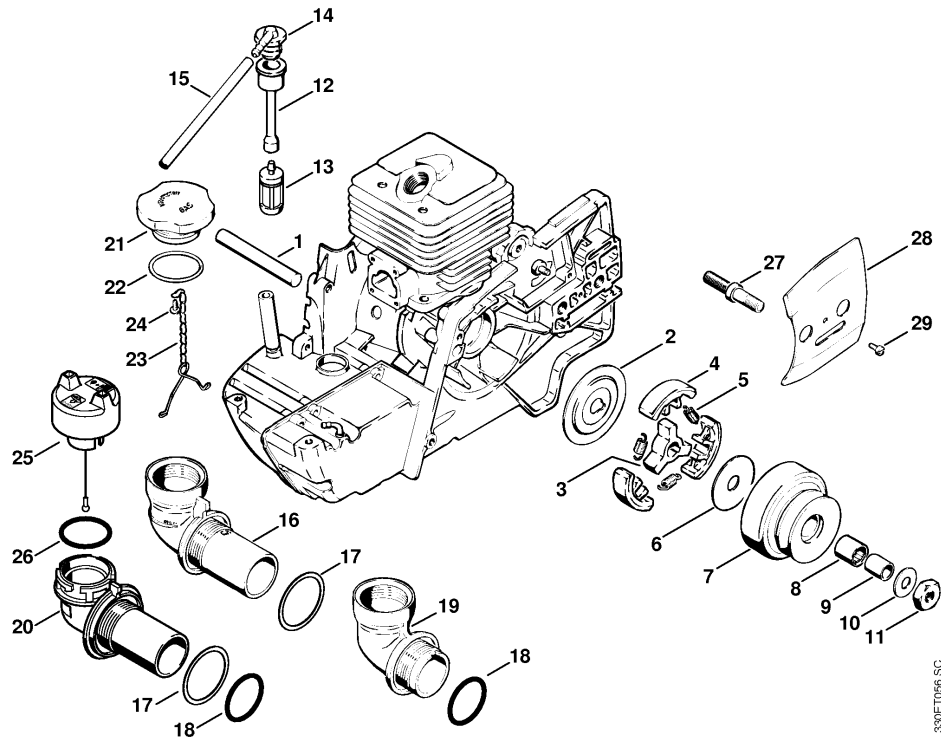


330ETO43 GM

Drawing B Cylinder

Reference	Item number	Qty	Description
23	4201 140 0602	1	Muffler available in Brazil only □ 26 - 29
23	4201 140 0607	1	Muffler □ 15, 24 - 29
24	4201 141 9001	1	Screen USA, CDN
25	9022 313 0610	1	Spline screw IS-M4x6 USA, CDN
26	4201 146 7300	1	Cover plate
27	9022 313 0610	1	Spline screw IS-M4x6
28	9022 341 1350	2	Spline screw IS-M6x25
29	9206 160 0900	2	Collar nut M6
30	* 4201 148 3001	1	Shim → X 28 323 087 (09.1994)
31	* 9022 341 1520	2	Spline screw IS-M6x90 → X 28 323 087 (09.1994)
32	* 9099 021 0810	1	Self-tapping screw 4.2x9.5 → X 28 323 087 (09.1994)
	4201 007 1050	1	Set of gaskets □ 1, 16

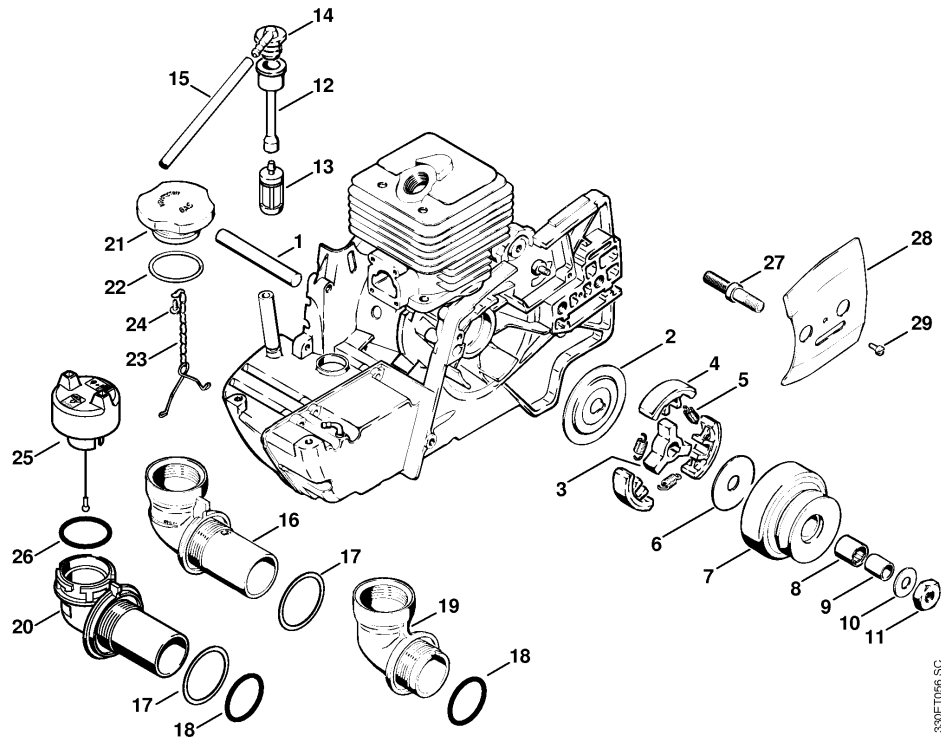
Drawing C Clutch, V-belt pulley



Drawing C Clutch, V-belt pulley

Reference	Item number	Qty	Description
1	1106 029 8900	1	Insulating rod
2	1108 162 8901	1	Washer
	1108 160 2001	1	Clutch □ 3 - 5
3	1108 162 3201	1	Carrier
4	1108 160 1501	3	Clutch shoe
5	0000 997 5811	3	Tension spring
6	1108 162 8911	1	Washer
7	4201 700 2506	1	V-belt pulley □ 8
8	9529 003 4181	1	Needle cage 1516 2
9	0000 993 0510	1	Ring
10	4201 958 1000	1	Washer
11	9211 260 1350	1	Hexagon nut M10x1 l/h thread
12	1108 358 7702	1	Hose
13	0000 350 3500	1	Pickup body
14	1108 353 2500	1	Elbow connector
15	1106 358 0700	1	Hose 135mm
16	4201 007 1032	1	Elbow connector kit USA, CDN, BR □ 17, 18
17	* 4104 359 0700		Gasket (quantity as required) → X 27 928 355 (09.1994)
18	9645 948 4050	1	O-ring 36x3
19	* 4104 353 9100	1	Connector → X 19 371 034 (06.1989)
20	4201 007 1000	1	Elbow connector kit (B) USA, CDN □ 17, 18

Drawing C Clutch, V-belt pulley

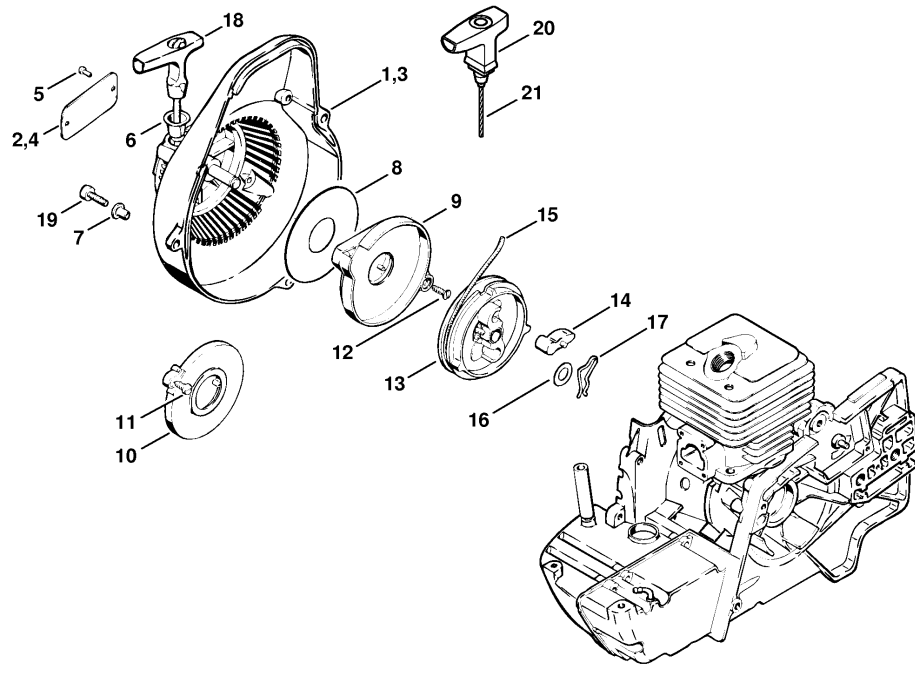


3301ET066 SC

Drawing C Clutch, V-belt pulley

Reference	Item number	Qty	Description
21	1107 350 0500	1	Filler cap □ 21 - 24
22	9645 945 4050	1	O-ring 36x3
23	1117 350 0905	1	Filler cap retainer
24	9099 021 2360	1	Self-tapping screw 3.5x9.5
25	0000 350 0514	1	Filler cap USA, CDN □ 26
26	9645 948 2470	1	O-ring 23x3 USA, CDN
27	* 0000 953 6602	2	Stud → X 19 371 034 (06.1989)
28	* 1108 664 1000	1	Inner side plate → X 19 371 034 (06.1989)
29	* 9041 216 0630	1	Pan head screw M4x8 → X 19 371 034 (06.1989)

Drawing D Rewind starter

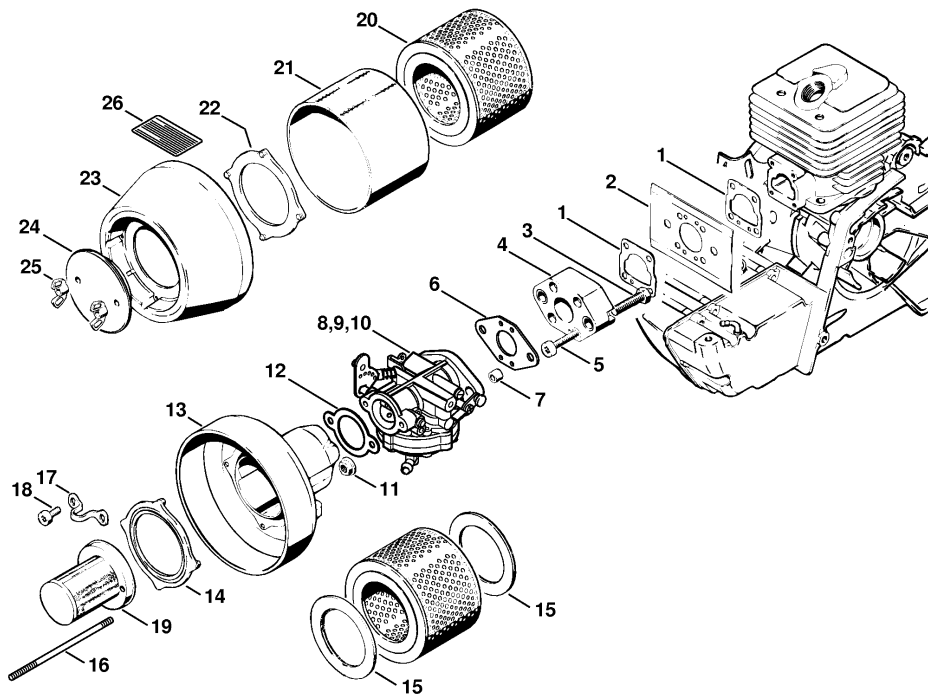


330ET045 GM

Drawing D Rewind starter

Reference	Item number	Qty	Description
1	1108 080 2101	1	Fan housing with rewind starter □ 2 - 5 - 9, 12 - 18
2	0000 967 2018	1	Nameplate STIHL
3	* 1108 080 2115	1	Fan housing with rewind starter (C) □ 4 - 9, 12 - 18
4	* 0000 967 2020	1	Nameplate STIHL
5	0000 974 1000	2	Round head rivet 3x6
6	1110 084 9102	1	Bushing
7	9443 825 7130	3	Hollow rivet 7.5x1x6.8
8	1106 195 9015	1	Washer
9	4201 190 0600	1	Rewind spring
10	* 1117 190 0601	1	Rewind spring → X 29 517 446 (37.1981)
11	* 9099 021 0810	1	Self-tapping screw 4.2x9.5 → X 29 517 446 (37.1981)
12	9076 478 2996	2	Pan head self-tapping screw P4x12
	1117 007 1014	1	Rope rotor kit □ 13, 14
13	1117 190 1011	1	Rope rotor
14	1124 195 7200	1	Pawl
15	1107 195 8200	1	Starter rope Ø 4.5x1000 mm
	0000 930 2200	1	Starter rope Ø 4.5 mm x 30.5 m (B)
16	1118 162 8935	2	Washer
17	1117 195 3500	1	Spring
18	1121 195 3400	1	Starter grip
19	9022 341 1010	3	Spline screw IS-M5x18
20	0000 190 3414	1	Starter grip ElastoStart Ø 4.5 mm □ 21
21	0000 190 2901	1	Starter rope Ø 4.5 mm
	0000 930 2295	1	Starter rope Ø 4.5mm / 28 pieces (B)

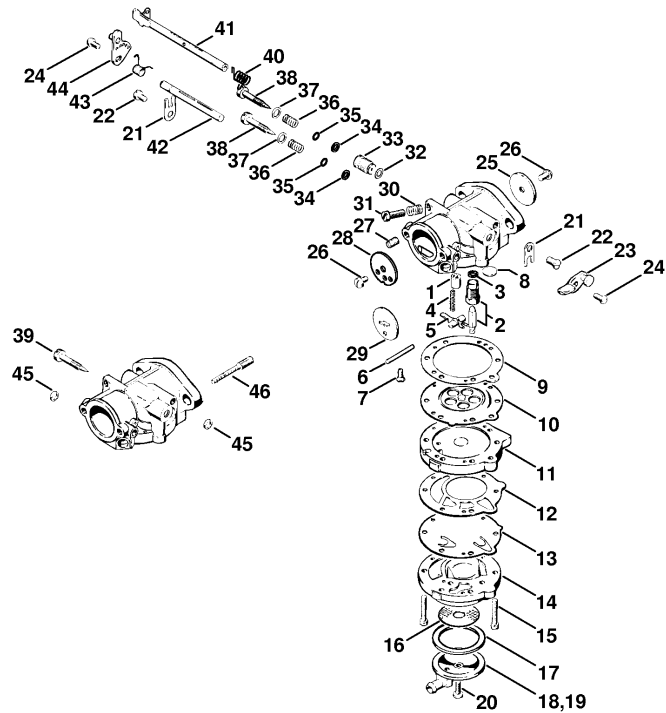
Drawing F Filter housing, Air filter



330ET061.SC

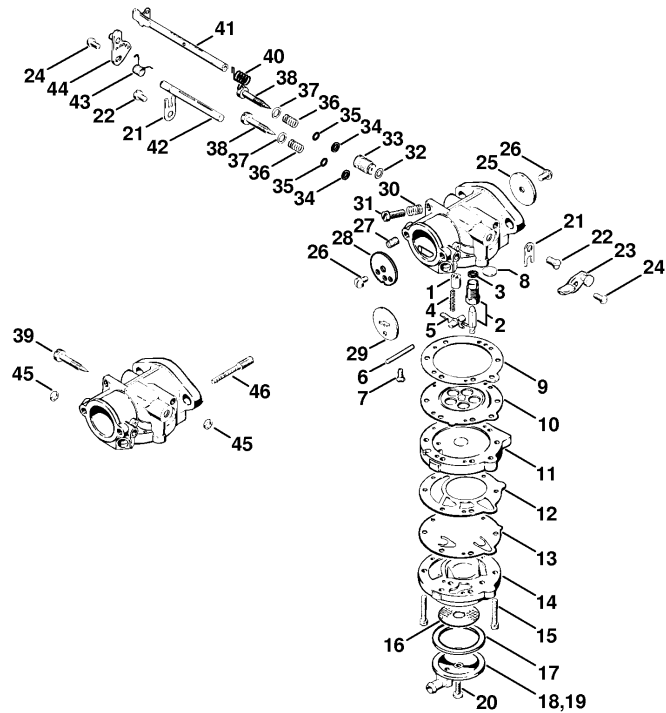
Drawing F Filter housing, Air filter

Reference	Item number	Qty	Description
1	1108 129 1110	2	Gasket
2	1108 121 2200	1	Cooling plate
3	9008 319 1350	2	Hexagon head screw M6x25
4	1108 120 2300	1	Spacer flange
5	9022 313 0740	4	Spline screw IS-M4x25
6	1108 129 1102	1	Gasket
7	1106 121 8701	2	Bushing
8	4201 120 0611	1	Carburetor HL-372A
9	* 1108 120 0606	1	Carburetor HL-292C → X 19 054 130 (06.1989)
10	4201 120 0610	1	Carburetor HL-371A USA, CDN
11	9220 260 0900	2	Hexagon nut M6
12	1106 149 1200	1	Filter gasket
13	4201 140 2800	1	Filter housing
14	4201 149 0501	1	Gasket
15	* 4201 146 7000	2	Washer → X 13 084 754 (30.1984)
16	9121 319 1500	2	Stud M6x85
17	4201 148 3000	1	Shim
18	9022 341 0960	2	Spline screw IS-M5x12
19	4201 140 1801	1	Auxiliary filter
20	4201 141 0300	1	Main filter
21	4201 141 0310	1	Prefilter
22	4201 149 0501	1	Gasket
23	4201 140 2100	1	Silencer
24	4201 141 0500	1	Filter cover
25	9247 808 0900	2	Wing nut M6
26	0000 967 3502	1	Instruction label USA



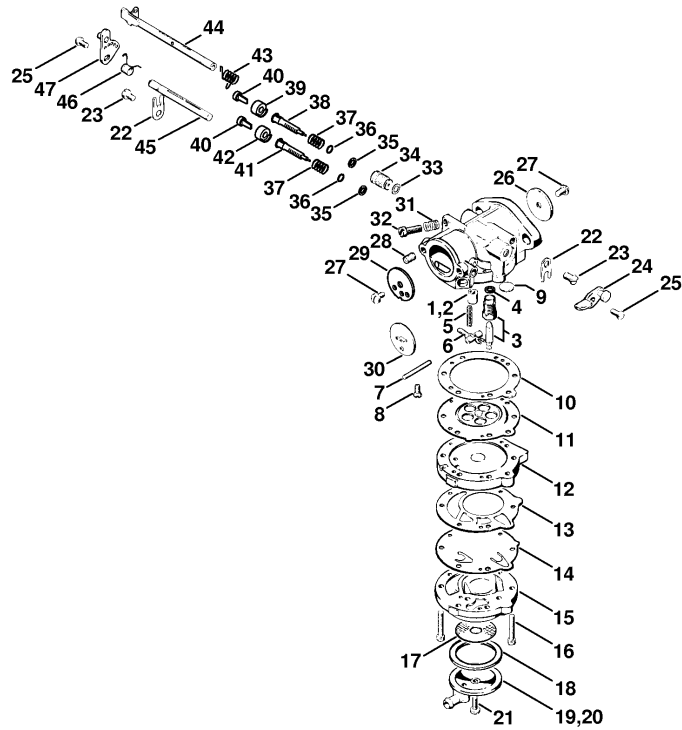
330ET049 GM

Reference	Item number	Qty	Description
	4201 120 0611	1	Carburetor HL-372A □ 1 - 18, 20 - 28, 30 - 38, 40 - 44
1	1106 121 5400	1	Valve jet
2	1106 120 8801	1	Inlet needle valve □ 3
3	6503 129 2500	1	Gasket
4	1106 122 3005	1	Spring
5	1106 121 5000	1	Inlet control lever
6	1106 121 9200	1	Spindle
7	1110 122 7800	1	Oval head screw
8	6503 122 9410	1	Plug
9	6503 129 0910	1	Gasket
10	6503 121 4700	1	Metering diaphragm
11	6503 121 0500	1	Pump housing
12	1108 129 1100	1	Gasket
13	1106 121 4803	1	Pump diaphragm
14	6503 121 0400	1	Top
15	6503 122 7710	6	Oval head screw
16	6503 121 7810	1	Strainer
17	6503 129 3010	1	Sealing ring
18	4201 121 0802	1	End cover
19	* 6503 121 0800	1	End cover → 1 43 543 597 (57.2000)
20	6503 122 7700	1	Oval head screw
21	6503 122 9300	2	Clip
22	6503 122 7720	2	Oval head screw
23	1108 120 7010	1	Throttle lever
24	1106 122 7201	2	Pan head screw
25	4201 121 3310	1	Throttle shutter
26	1106 122 7400	2	Round head screw
27	9795 003 0350	2	Threaded insert M5x7.5



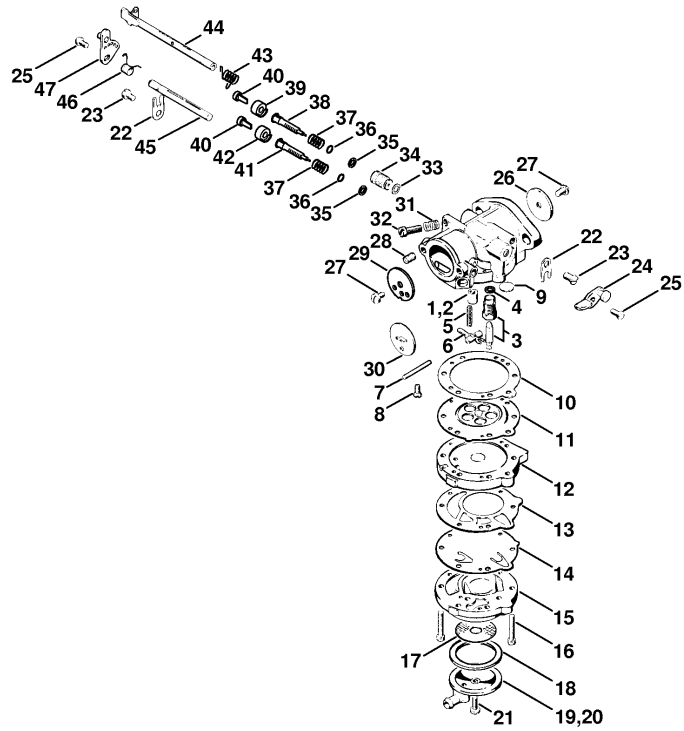
330ET049 GM

Reference	Item number	Qty	Description
28	4201 121 2901	1	Choke shutter
29	* 6503 121 2910	1	Choke shutter → 1 43 543 597 (57.2000)
30	6503 122 3020	1	Spring
31	4201 122 6200	1	Idle speed adjustment screw
32	1110 129 3000	1	Sealing ring
33	4201 120 8705	1	Control valve
34	1106 129 3500	2	Sealing ring
35	1106 129 2300	2	Gasket
36	1106 122 3000	2	Spring
37	1106 129 3505	2	Sealing ring
38	1108 122 6800	2	Low speed adjustment screw High speed adjustment screw also
39	* 1108 122 6700	1	High speed adjustment screw → X 16 580 518 (17.1987)
40	1108 122 3210	1	Torsion spring
41	1108 120 7100	1	Throttle shaft with lever
42	1108 121 3000	1	Choke shaft
43	1108 122 3201	1	Torsion spring
44	1108 120 7000	1	Governor lever
45	* 6503 122 8710	2	Spring washer
46	* 6503 122 8000	1	Stud → X 19 054 130 (06.1989)
	4201 007 1060	1	Set of carburetor parts □ 9, 10, 12, 13



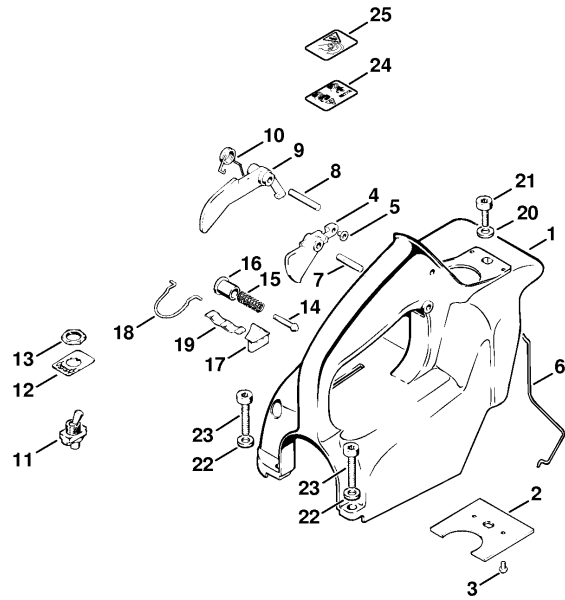
330ET048 GM

Reference	Item number	Qty	Description
	4201 120 0610	1	Carburetor HL-371A USA, CDN □ 1, 3 - 19, 21 - 29, 31 - 47
1	4201 121 5402	1	Valve jet
2 *	4201 121 5401	1	Valve jet → 1 43 543 597 (57.2000)
3	1106 120 8801	1	Inlet needle valve □ 4
4	6503 129 2500	1	Gasket
5	1106 122 3005	1	Spring
6	1106 121 5000	1	Inlet control lever
7	1106 121 9200	1	Spindle
8	1110 122 7800	1	Oval head screw
9	6503 122 9410	1	Plug
10	6503 129 0910	1	Gasket
11	6503 121 4700	1	Metering diaphragm
12	6503 121 0500	1	Pump housing
13	1108 129 1100	1	Gasket
14	1106 121 4803	1	Pump diaphragm
15	6503 121 0400	1	Top
16	6503 122 7710	6	Oval head screw
17	6503 121 7810	1	Strainer
18	6503 129 3010	1	Sealing ring
19	4201 121 0802	1	End cover
20 *	6503 121 0800	1	End cover → 1 43 543 597 (57.2000)
21	6503 122 7700	1	Oval head screw
22	6503 122 9300	2	Clip
23	6503 122 7720	2	Oval head screw
24	1108 120 7010	1	Throttle lever
25	1106 122 7201	2	Pan head screw
26	4201 121 3310	1	Throttle shutter
27	1106 122 7400	2	Round head screw
28	9795 003 0350	2	Threaded insert M5x7.5



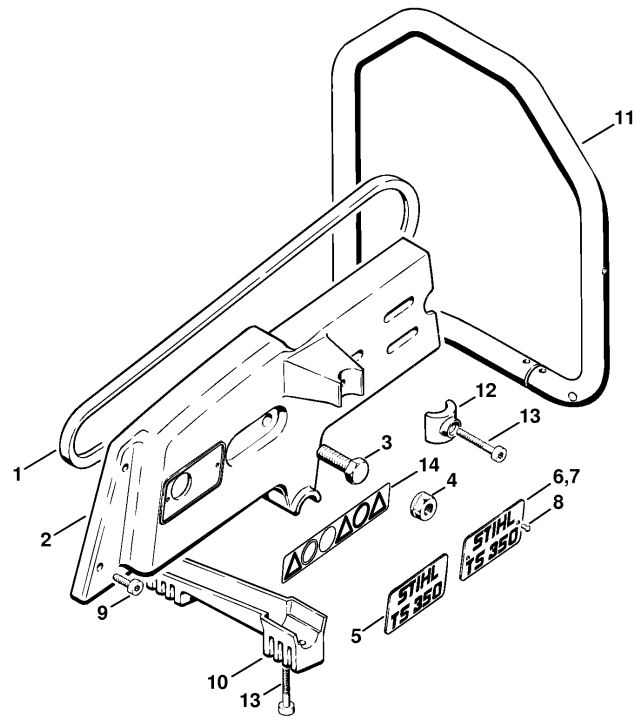
330ET048 GM

Reference	Item number	Qty	Description
29	4201 121 2901	1	Choke shutter
30	* 6503 121 2910	1	Choke shutter → 1 43 543 597 (57.2000)
31	6503 122 3020	1	Spring
32	4201 122 6200	1	Idle speed adjustment screw
33	1110 129 3000	1	Sealing ring
34	4201 120 8705	1	Control valve
35	1106 129 3500	2	Sealing ring
36	1106 129 2300	2	Gasket
37	4201 122 3003	2	Spring
38	4201 122 6801	1	Low speed adjustment screw
39	4201 121 9400	1	Ring, blue
40	4201 121 2700	2	Cap
41	4201 122 6701	1	High speed adjustment screw
42	4201 121 9401	1	Ring, red
43	1108 122 3210	1	Torsion spring
44	1108 120 7100	1	Throttle shaft with lever
45	1108 121 3000	1	Choke shaft
46	1108 122 3201	1	Torsion spring
47	1108 120 7000	1	Governor lever
	4201 007 1060	1	Set of carburetor parts □ 10, 11, 13, 14



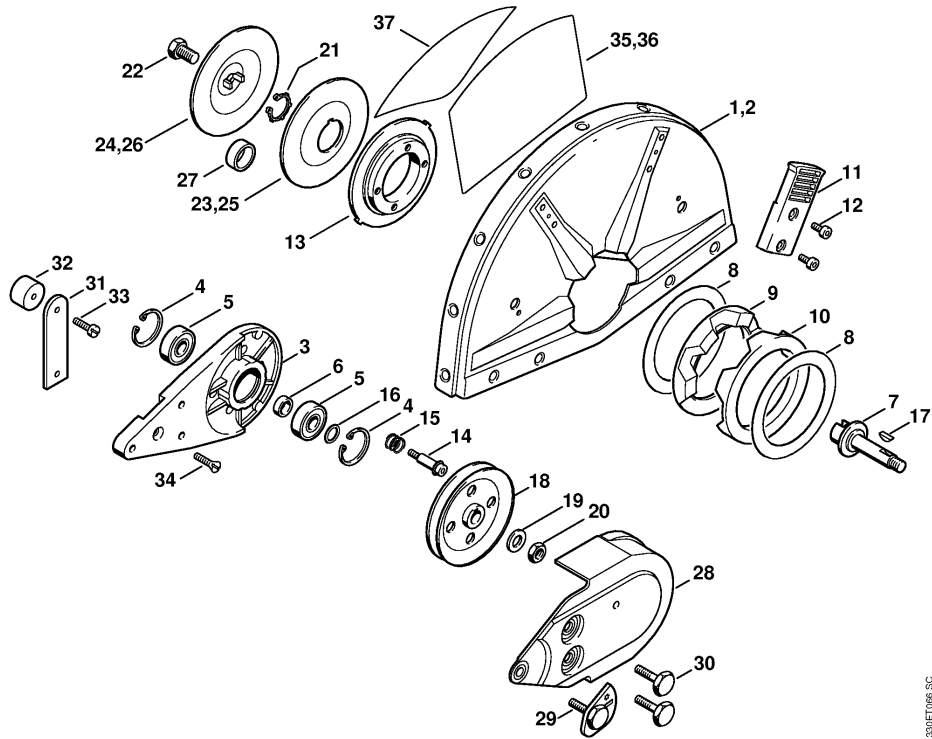
330E/T080.SC

Reference	Item number	Qty	Description
1	1108 080 1610	1	Shroud □ 2 - 17, 19
2	1108 084 8000	1	Insulating plate
3	9441 065 1870	2	Round head rivet 3x6
4	1108 180 1503	1	Throttle trigger □ 5
5	9415 415 3140	1	Hollow rivet 4x0.3x5
6	1108 182 1500	1	Throttle rod
7	9371 470 2680	1	Cylindrical pin 5x28
8	9371 470 2730	1	Cylindrical pin 5x36 available in Brazil only
8	9371 471 2730	1	Cylindrical pin 5x36
9	1108 182 0800	1	Lockout lever
10	1108 182 4500	1	Torsion spring
11	1110 430 0202	1	Stop switch
12	0000 967 3506	1	Label
13	9211 260 1430	1	Hexagon nut M12x0.75
14	1113 182 8901	1	Pin
15	0000 997 0603	1	Compression spring
16	1113 182 9305	1	Starting throttle lock
17	1108 084 4100	1	Shutter
18	4201 182 1800	1	Bow
19	1108 084 4200	1	Slide spring
20	9291 021 0140	1	Washer 6.4
21	9022 341 1300	1	Spline screw IS-M6x20
22	9291 021 0140	2	Washer 6.4
23	9022 341 1370	2	Spline screw IS-M6x30
24	0000 967 3751	1	Warning pictogram Filler cap USA, CDN
25	* 0000 967 3693	1	Warning pictogram Filler cap USA, CDN



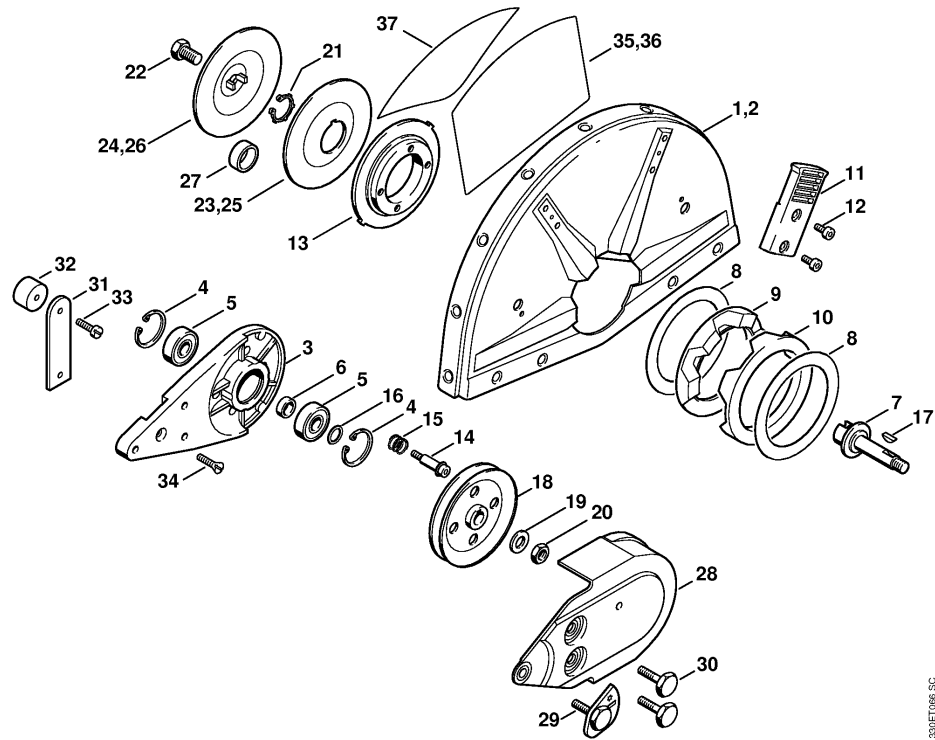
330ET068 GM

Reference	Item number	Qty	Description
1	9490 000 7850	1	Narrow V-belt 9.7x850LW
2	4201 701 0202	1	Cast arm
3	4201 708 8403	1	Hexagon head screw M10x40
4 *	9220 260 1300	2	Hexagon nut M10 → X 19 371 034 (06.1989)
5	4201 967 1504	1	Model plate TS 350
6 *	0000 967 1517	1	Model plate TS 350 (D) → X 17 451 128 (29.1987)
7 *	4201 967 1502	1	Model plate TS 350 S → X 33 746 577 (10.1996)
8 *	0000 974 1000	2	Round head rivet 3x6 → X 33 746 577 (10.1996)
9	9022 341 1300	2	Spline screw IS-M6x20
10	4201 791 7604	1	Support
11	4201 790 1700	1	Handlebar
12	4201 791 9000	1	Clamp
13	9022 341 1400	3	Spline screw IS-M6x40
14	0000 967 3702	1	Warning pictogram TS



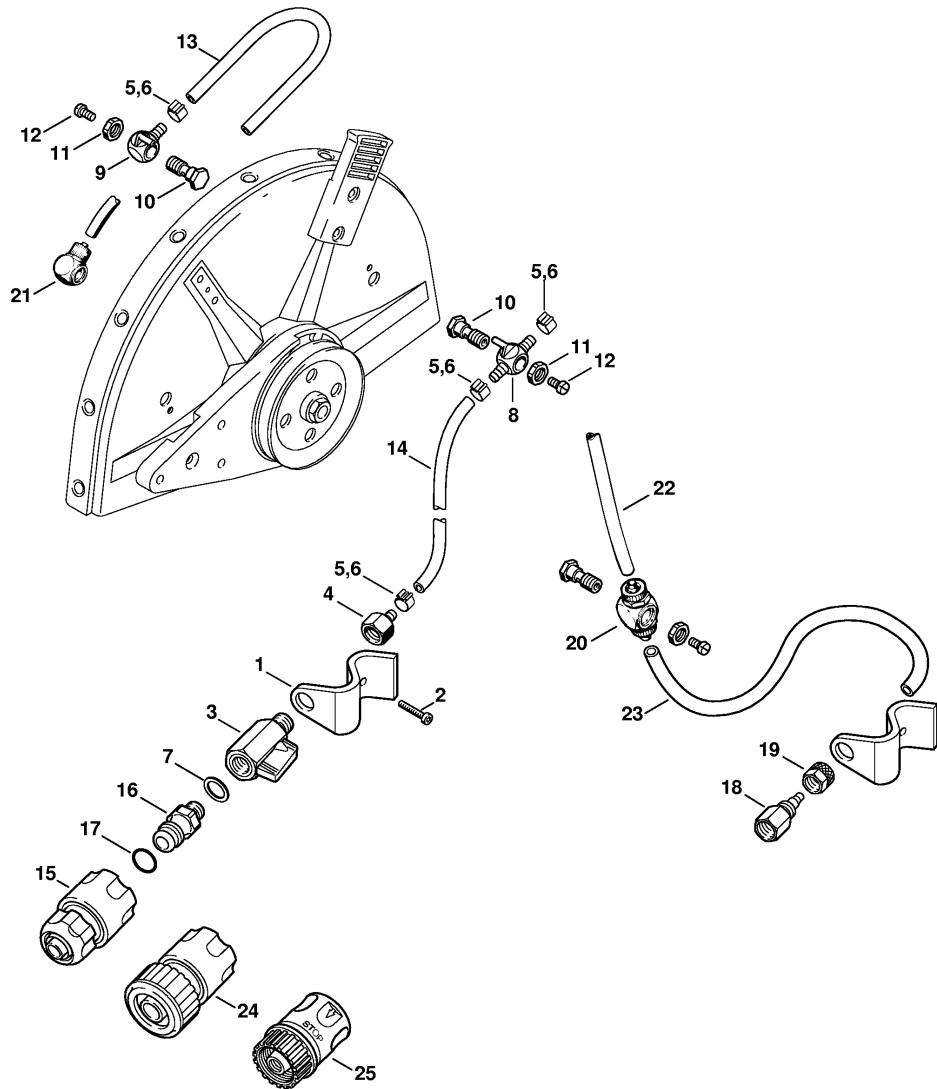
330RET066.SC

Reference	Item number	Qty	Description
	4223 007 1008	1	Support with guard Ø 300 mm / 12" USA □ 1, 3 - 24, 31 - 35
	4223 007 1016	1	Support with guard Ø 300 mm / 12" CDN □ 1, 3 - 24, 31 - 34, 37
	4223 007 1007	1	Support with guard Ø 300 mm / 12" with water attachment □ 1, 3 - 24
	4221 007 1009	1	Support with guard Ø 350 mm / 14" USA □ 2 - 24, 31 - 34, 36
	4221 007 1014	1	Support with guard Ø 350 mm / 14" CDN □ 2 - 24, 31 - 34, 37
	4221 007 1008	1	Support with guard Ø 350 mm / 14" with water attachment □ 2 - 24
	4221 007 1013	1	Support with guard Ø 350 mm / 14" with water attachment, J, AUS □ 2 - 22, 25, 26
1	4238 700 8110	1	Guard Ø 300 mm / 12"
2	4224 700 8103	1	Guard Ø 350 mm / 14"
3	4205 791 3902	1	Support
4	9456 621 3600	2	Circlip 32x1.2
5	9503 003 6440	2	Grooved ball bearing 6201-2RS



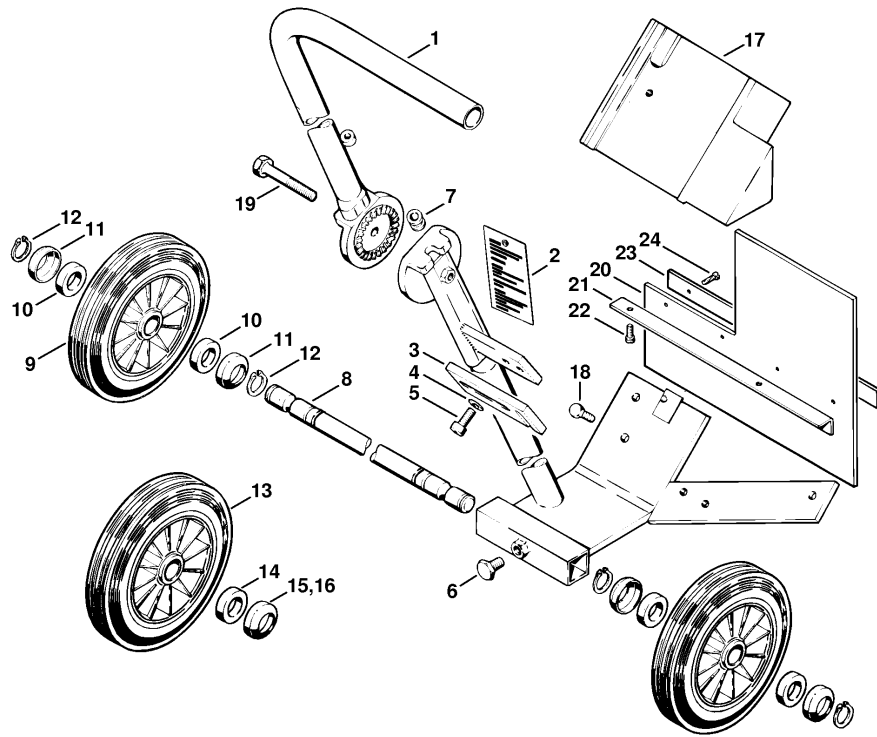
3301066 SC

Reference	Item number	Qty	Description
6	0000 961 1206	1	Ring
7	4201 704 0504	1	Shaft
8	4201 706 9202	2	Washer
9	4221 706 8800	1	Rubber ring
10	4221 706 8801	1	Rubber ring
11	4223 700 2900	1	Adjusting lever
12	9022 341 0960	4	Spline screw IS-M5x12
13	4205 706 2903	1	Flange
14	4223 710 9500		Adjusting screw (quantity as required)
			□ 15
15	0000 997 1303		Compression spring (quantity as required)
16	0000 958 1212	1	Washer
17	4223 036 8600	1	Woodruff key
18	4201 700 2504	1	V-belt pulley
19	9291 021 0200	1	Washer 10.5
20	9211 260 1350	1	Hexagon nut M10x1 l/h thread
21	9450 721 2150	1	Circlip 20x1.2
22	4201 708 8402	1	Hexagon head screw M10x18
23	4201 708 3004	1	Thrust washer Ø 103 mm
24	4201 708 3014	1	Thrust washer Ø 103 mm
25	4205 708 3000	1	Thrust washer Ø 118 mm J
26	4205 708 3010	1	Thrust washer Ø 118 mm J
27	0000 708 4200	1	Shaft sleeve (B)
28	4201 700 8116	1	Guard
29	4201 760 9500	1	Adjusting screw
30	4201 708 8401	2	Hexagon head screw M8x42
31	4201 790 6005	1	Limit stop USA, CDN
32	4201 790 9302	1	Rubber buffer USA, CDN
33	9041 216 1230	1	Pan head screw M6x8 USA, CDN
34	9062 319 1260	1	Countersunk screw M6x12 USA, CDN
35	0000 967 3577	1	Instruction label USA
36	0000 967 3578	1	Instruction label USA
37	0000 967 3522	1	Instruction label CDN



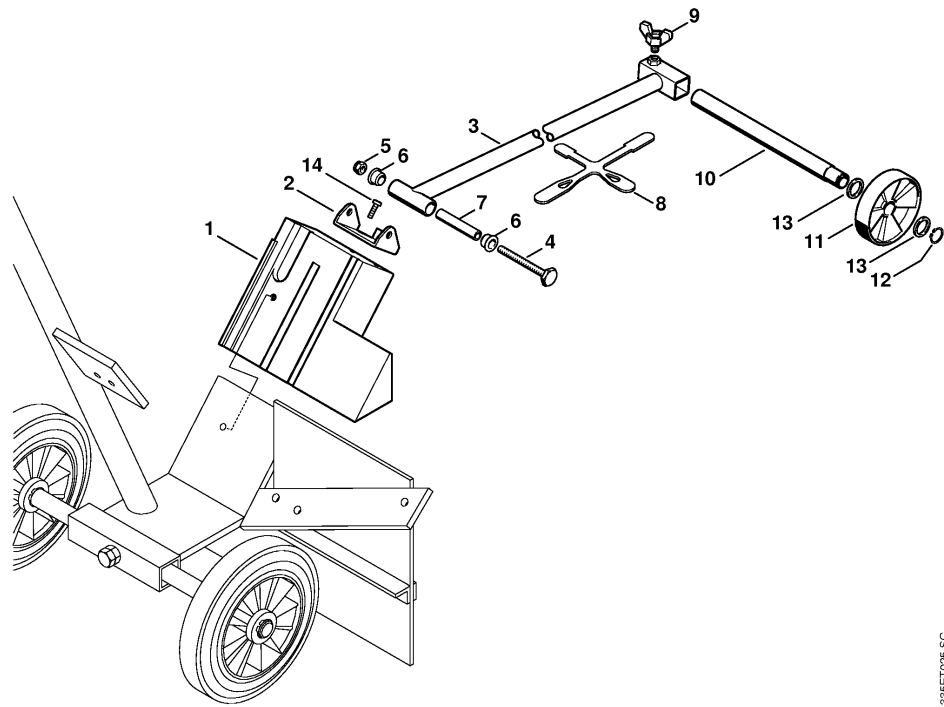
33SET030 SC

Reference	Item number	Qty	Description
	4201 007 1014	1	Water attachment kit (B) □ 1 - 5, 7 - 17
1	4201 700 6802	1	Bracket
2	9022 341 1070	1	Spline screw IS-M5x30
3	4201 700 4500	1	Shut-off cock 1/4"
4	4238 677 8200	1	Connector
5	9771 021 0921	4	Hose clip 10/7
6 *	9771 021 0920	4	Hose clip 9.5/7
7	0000 954 1701	1	Sealing ring
8	4224 677 8201	1	Connector
9	4224 677 8202	1	Connector
10	4201 708 8400	2	Banjo bolt
11	9211 021 8900	2	Hexagon nut G 1/8"
12	9041 216 0950	2	Pan head screw M5x10
13		1	Hose 5.6x1.9x155 mm / 6 1/8" (D) for Ø 300mm / 12" guard
13		1	Hose 5.6x1.9x220 mm / 8 11/16" (D) for Ø 350mm / 14" guard
14		1	Hose 5.6x1.9x356 mm / 14" (D)
	0000 937 4049	1	Hose 5.6x1.9 mm x 1 m (A)
15	4201 670 1700	1	Coupling sleeve 1/2"
16	4201 700 7300	1	Hose connector □ 17
17	9645 945 7506	1	O-ring 10x3
18 *	4201 708 8600	1	Nut
19 *	4201 708 3100	1	Union nut
20 *	4201 677 1007	1	Union
21 *	4201 677 1008	1	Elbow union 1/8"
22 *	4201 678 1111	1	Hose 195 mm / 7 1/2"
23 *	0000 989 5215	1	Hose 340 mm / 13 7/16"
24	4201 670 1705	1	Coupling sleeve 3/4" (B)
25	4201 670 1701	1	Coupling sleeve 3/4" (B) USA



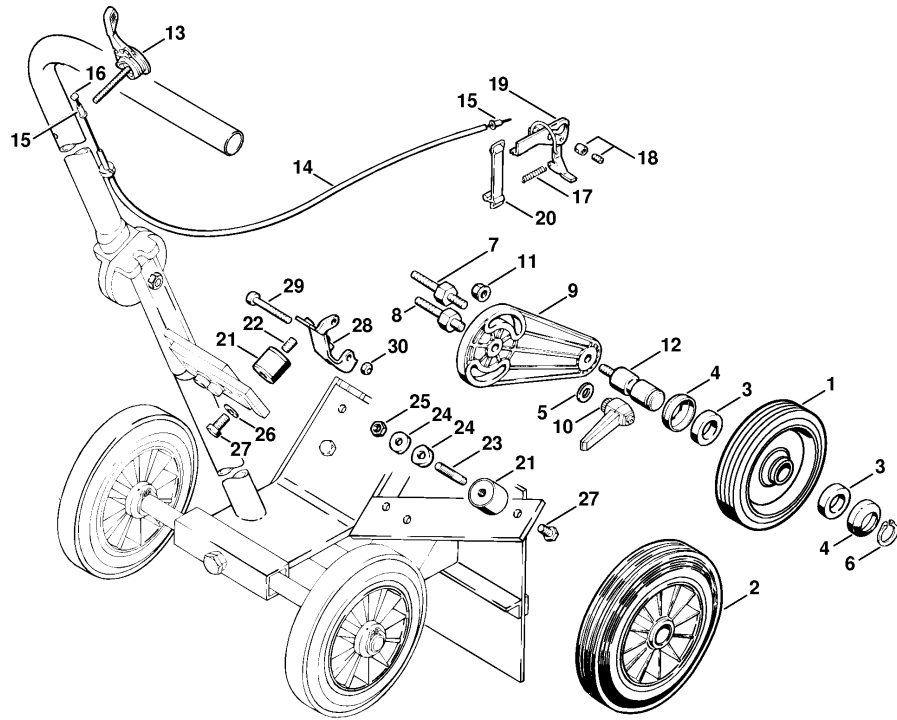
330ET062 GM

Reference	Item number	Qty	Description
	4201 710 1403	1	Cutquik cart (B) □ 1 - 6, 8 - 12, 17 - 24
1	4201 790 2300	1	Guide tube (B)
2	4201 967 4200	1	Tag (B)
3	4201 792 9500	1	Adjustable strap (B)
4	9291 021 0180	2	Washer 8.4 (B)
5	9045 319 1800	2	Socket head screw M8x20 (B)
6	4201 708 8402	1	Hexagon head screw M10x18 (B)
7	* 4201 791 9500	1	Rubber bushing (B)
8	4201 711 0903	1	Axle (B)
9	4201 790 5700	2	Wheel (B) □ 10, 11
10	0000 988 1900	2	Felt ring (B)
11	4201 791 9200	2	Cap (B)
12	9455 621 2150	4	Circlip 20x1.2 (B)
13	* 4201 710 3000	2	Wheel (B) (38.1995) □ 14, 15
14	* 0000 988 1900	2	Felt ring (B) (38.1995)
15	* 4201 717 2001	2	Cap (B) (38.1995)
16	* 4201 717 2000	4	Cap (B) (47.1990)
17	4201 790 6300	1	Counterweight (B)
18	9008 319 1830	1	Hexagon head screw M8x25 (B)
19	4201 708 8405 4201 007 1033	1	Hexagon head screw M10x70 (B) Splash guard mounting kit (B) □ 20 - 24
20	4201 792 9100	1	Guard (B)
21	4201 792 6000	1	Bracket (B)
22	9079 319 0960	2	Flat head screw M5x12 (B)
23	4201 792 9501	1	Strap (B)
24	9039 488 0680	4	Self-tapping screw M4x16 (B)
	* 4201 007 1029	1	Conversion kit adjustable strap (B) (29.1985) □ 2 - 5



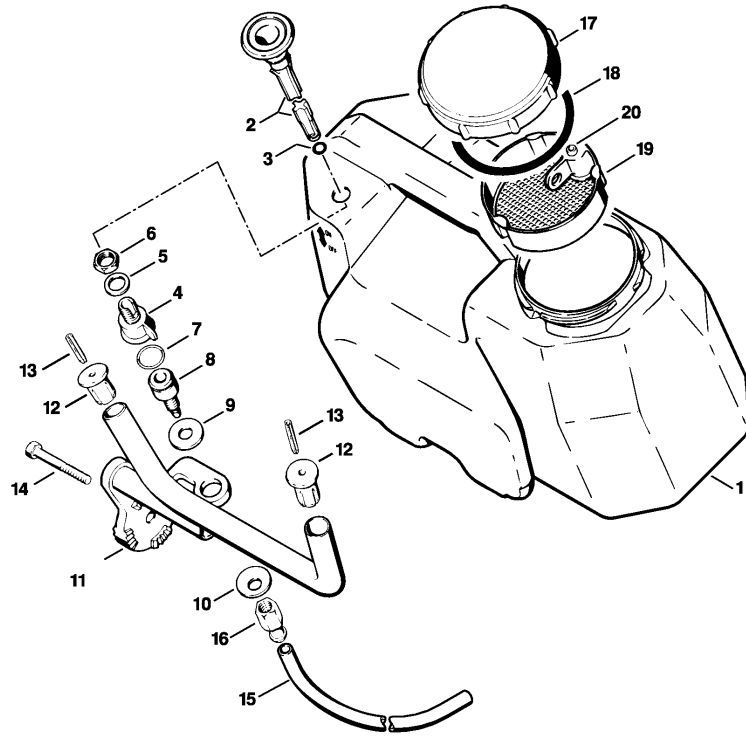
335ET025 SC

Reference	Item number	Qty	Description
1	4201 790 6300	1	Counterweight (B)
	□ 14		
	4205 007 1009	1	Guide wheel kit (B)
	□ 2 - 14		
2	4205 791 5400	1	Support (B)
3	4201 790 2100	1	Frame (B)
4	9007 319 2020	1	Hexagon head screw M8x85 (B)
5	9212 260 1100	1	Hexagon nut M8 (B)
6	4205 791 7200	2	Sleeve (B)
7	4205 791 2701	1	Tube (B)
8	0000 792 4200	1	Retaining strap (B)
9	4205 710 9300	1	Wing screw (B)
10	4201 711 0904	1	Axle (B)
11	4137 712 1001	1	Wheel (B)
12	9455 621 1920	1	Circlip 18x1.2 (B)
13	4205 791 8400	2	Ring (B)
14	9008 319 1800	2	Hexagon head screw M8x20 (B)



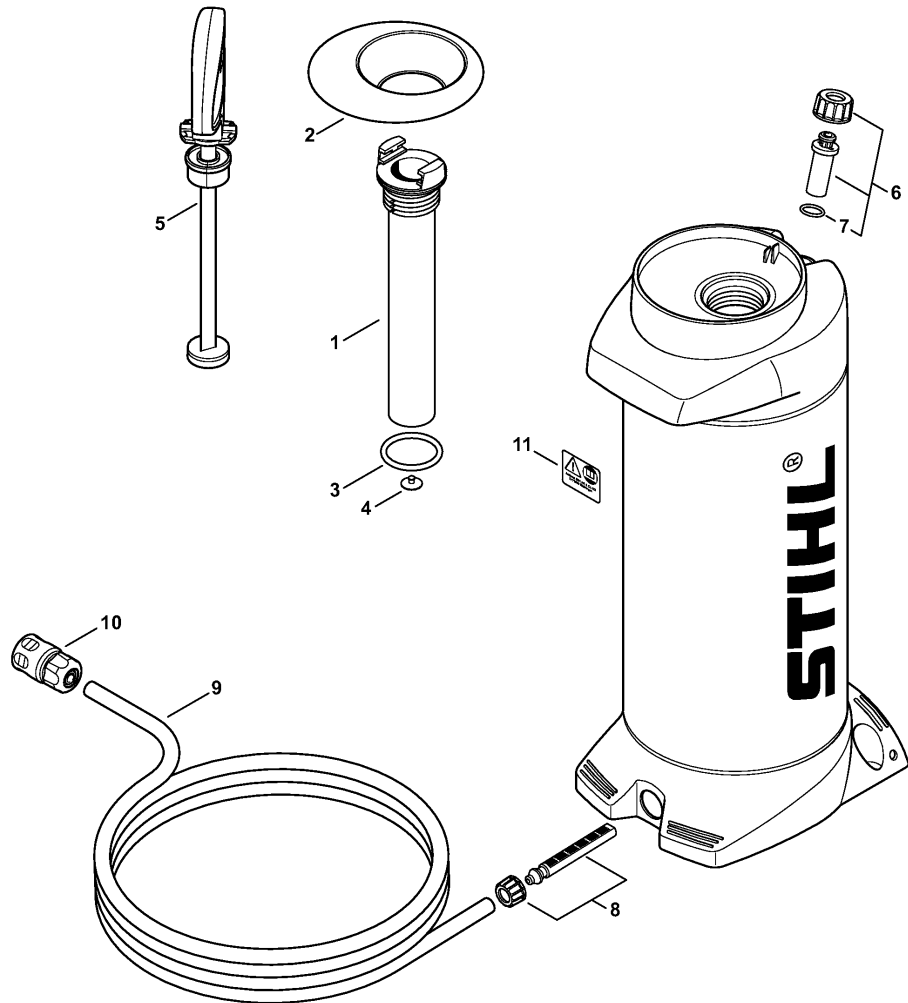
330ET082.SC

Reference	Item number	Qty	Description
	4201 007 1041	1	Depth wheel kit (B) □ 1, 3, 4, 6 - 12
1	4201 712 1005	1	Wheel Ø 142 mm (B)
2 *	4201 710 3000	1	Wheel (B) (38.1995) □ 3, 4
3	0000 988 1900	2	Felt ring (B)
4	4201 717 2001	2	Cap (B)
5 *	9291 021 0180	1	Washer 8.4 (B) (38.1995)
6	9455 621 2150	1	Circlip 20x1.2 (B)
7	4201 711 8500	1	Stud (B)
8	4201 711 8501	1	Stud (B)
9	4201 711 0700	1	Swivel arm (B)
10	9582 003 0471	1	Clamp lever M8 (B)
11	9220 260 1100	1	Hexagon nut M8 (B)
12	4201 711 0901	1	Axle (B)
	4201 007 1047	1	Mounting kit Cutquik cart (B) □ 13 - 30
13	4201 180 0700	1	Control lever (B)
14	4201 180 1100	3	Throttle cable (B) □ 15 - 18
15	4308 182 8800	2	Terminal sleeve (B)
16	9793 003 0030	1	Grease nipple D (B)
17	0000 997 0427	2	Compression spring (B)
18	0000 937 3000	1	Screw nipple (B)
19	4201 180 1800	1	Throttle control (B)
20	4201 180 2200	1	Rubber strap (B)
21	4201 790 9300	3	Rubber insert (B)
22	9131 216 1780	1	Grub screw M8x16 (B)
23	9123 319 1900	2	Stud M8x40 (B)
24	4201 791 8600	4	Thrust washer (B)
25	9210 260 1100	2	Hexagon nut M8 (B)
26	9291 021 0180	1	Washer 8.4 (B)
27	9008 319 1780	3	Hexagon head screw M8x16 (B)
28	4201 713 3401	1	Bow (B)
29	9022 341 1220	1	Spline screw IS-M5x48 (B)
30	9214 320 0700	1	Lock nut M5 (B)



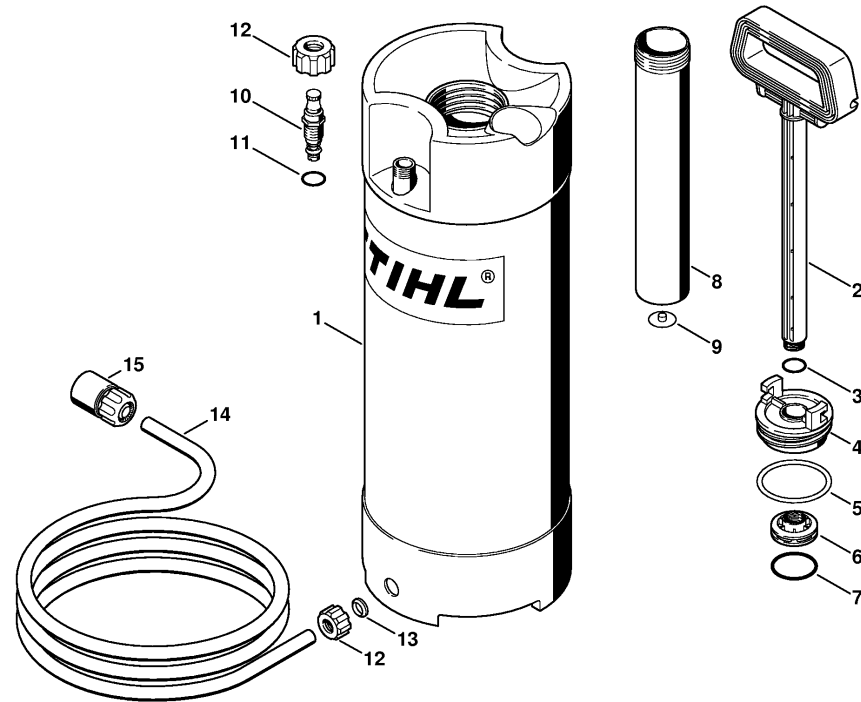
337ET1012 SC

Reference	Item number	Qty	Description
	4201 007 1048	1	Water tank mounting kit (B) □ 1 - 20
1	4201 701 0800	1	Water tank (B)
2	4201 700 6250	1	Valve (B) □ 3 - 5
3	9645 948 0340	1	O-ring 6x1.5 (B)
4		1	Valve (B,D)
5	9636 965 1960	1	Sealing ring 18x24 (B)
6	9208 260 1660	1	Hexagon nut M16 (B)
7	9645 945 1390	1	O-ring 14x2.5 (B)
8	4201 708 9600	1	Connector (B)
9	9307 021 0200	1	Washer 10.5 (B)
10	9486 648 1195	1	Cup spring 23x10.2x1.25 (B)
11	4201 700 7400	1	Bracket (B) □ 12, 13
12	4201 703 2800	2	Plug (B)
13	9380 620 2700	2	Roll pin 5x30 (B)
14	4201 708 8405	1	Hexagon head screw M10x70 (B)
15	4201 678 1114	1	Hose 545 mm / 21 1/2" (B)
16	4201 677 7400	1	Hose connector (B)
17	4202 701 0900	1	Container cap (B)
18	4202 709 2000	1	Sealing ring (B)
19	4202 700 8805	1	Strainer (B) □ 20
20		1	Plug (B,C)



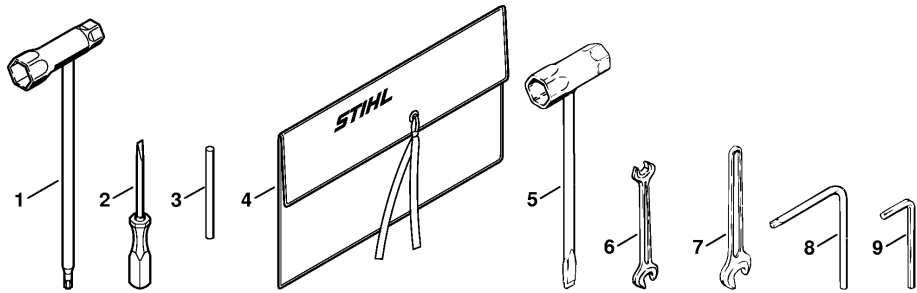
378ET043 SC

Reference	Item number	Qty	Description
	0000 670 6000	1	Water tank (B) □ 1 - 11
1	0000 670 6600	1	Pump barrel (B) □ 2 - 4
2	0000 676 0500	1	Funnel (B)
3		1	O-ring 46.99x5.33 (B,D)
4		1	Valve (B,D)
5	0000 670 7700	1	Handle (B)
6	0000 670 5000	1	Valve (B) □ 7
7		1	O-ring 17x2.5 (B,D)
	0000 670 0300	1	Hose (B) □ 8 - 10
8	0000 670 0400	1	Strainer (B)
9	4309 678 1100	1	Hose 4 m / 158" (B)
10	4201 670 1700	1	Coupling sleeve 1/2" (B)
11	0000 967 7304	1	Warning pictogram (B)
	0000 007 1600	1	Set of gaskets (B) □ 3, 4, 7



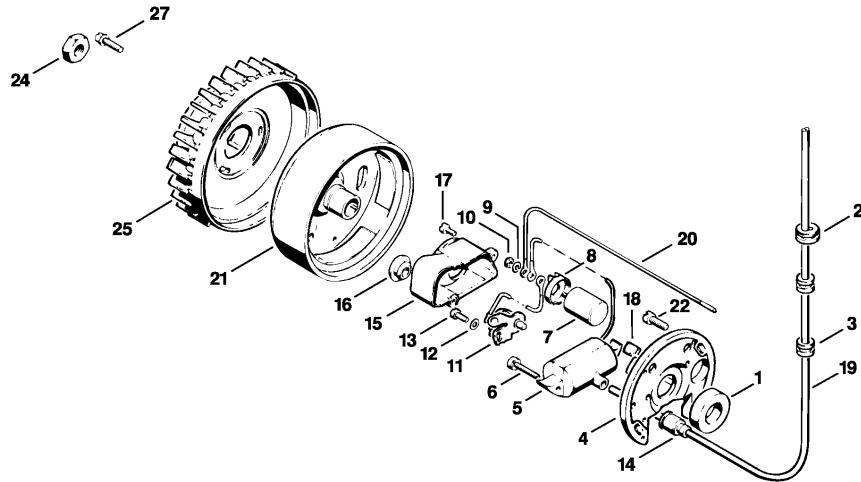
337ET021 GM

Reference	Item number	Qty	Description
	* 4223 670 6000	1	Water tank (B,C) (28.2010) □ 1 - 14
	* 4223 670 6001	1	Water tank (B,C) USA (28.2010) □ 1 - 15
1	* 4223 670 6010	1	Water tank (B) (28.2010) □ 12, 13
2	* 4223 670 7700	1	Handle (B) (28.2010) □ 3
3	* 9645 945 7560	1	O-ring 14x1.78 (B) (28.2010)
4	* 4223 670 8600	1	Filler cap (B) (28.2010) □ 5
5	* 9645 945 8240	1	O-ring 56.5x 5.33 (B) (28.2010)
6	* 4223 670 8200	1	Piston (B) (28.2010) □ 7
7	* 9645 945 7958	1	O-ring 37.5x3.15 (B) (28.2010)
8	* 4223 670 6600	1	Pump barrel (B) (28.2010) □ 9
9	* 4223 678 2600	1	Valve (B) (28.2010)
10	* 4223 670 5000	1	Valve (B) (28.2010) □ 11
11	* 9645 945 7494	1	O-ring 8.76x1.78 (B) (28.2010)
12	* 4223 677 8300	2	Union nut (B) (28.2010)
13	* 4223 678 1600	1	Insert (B) (28.2010)
14	* 4309 678 1100	1	Hose 4 m / 158" (B) (28.2010)
15	* 4201 670 1700	1	Coupling sleeve 1/2" (B) (28.2010)



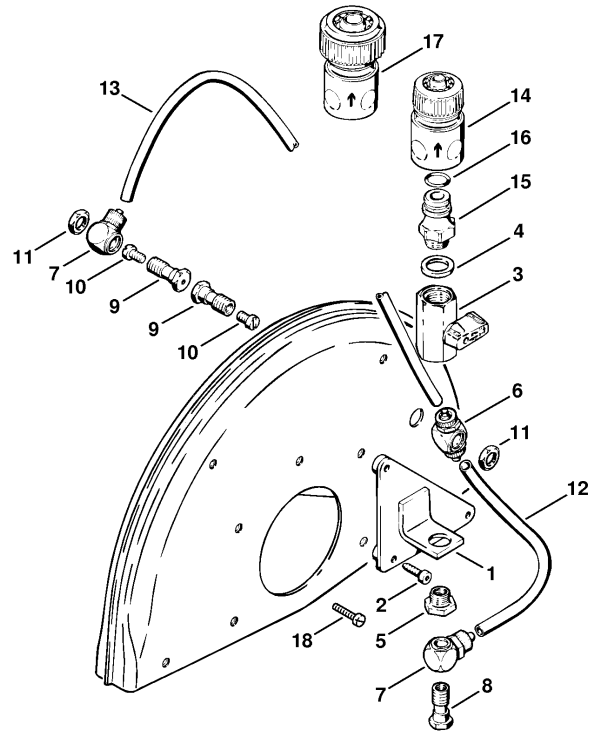
3301ET0864.SC

Reference	Item number	Qty	Description
	4223 890 1400	1	Tool kit □ 1 - 4
1	4128 890 3400	1	Combination wrench
2	5910 890 2305	1	Screwdriver
3	4130 893 7800	1	Locking pin
4	0000 891 0810	1	Tool roll
5 *	1111 890 3400	1	Combination wrench → X 28 322 497
6 *	0811 012 1152	1	Wrench 8x10 → X 28 322 497
7 *	0812 032 1016	1	Wrench SW 13 → X 28 322 497
8 *	0812 370 1000	1	Screwdriver T27x120x70 → X 28 322 497
9 *	0812 260 1008	1	Allen key 5 → X 16 632 418



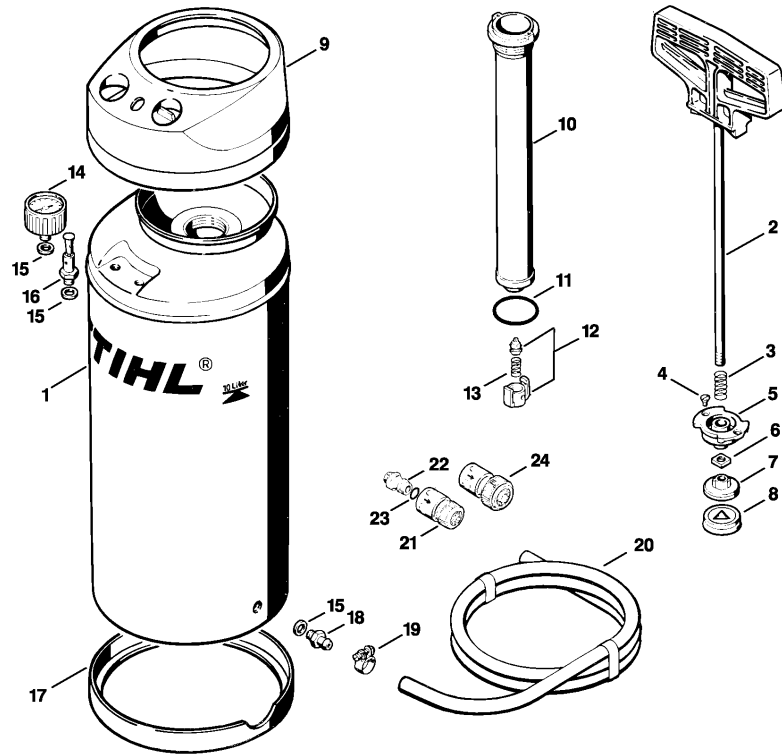
3301ET029 L

Reference	Item number	Qty	Description
1	* 0000 992 5741	1	Sealing ring → X 13 927 613 (04.1985)
2	* 0000 989 0810	1	Grommet → X 13 927 613 (04.1985)
3	* 0000 989 0816	2	Grommet → X 13 927 613 (04.1985)
	* 1108 400 0510	1	Magneto → X 13 927 613 (04.1985)
			□ 4 - 21
4	* 1107 400 0801	1	Stator plate → X 13 927 613 (04.1985)
			□ 5 - 14, 18 - 20
5	* 1108 404 3200	1	Ignition coil → X 13 927 613 (04.1985)
6	* 9110 313 0700	1	Flat head screw M4x19 → X 13 927 613 (04.1985)
7	* 1115 404 3400	1	Capacitor → X 13 927 613 (04.1985)
8	* 1115 404 8800	1	Cap → X 13 927 613 (04.1985)
9	* 9321 630 0080	1	Spring washer 3 → X 13 927 613 (04.1985)
10	* 9210 260 0400	1	Hexagon nut M3 → X 13 927 613 (04.1985)
11	* 1115 400 2000	1	Set of points → X 13 927 613 (04.1985)
12	* 9322 630 0100	1	Spring washer 4 → X 13 927 613 (04.1985)
13	* 9041 216 0630	1	Pan head screw M4x8 → X 13 927 613 (04.1985)
14	* 0000 989 1010	1	Grommet → X 13 927 613 (04.1985)
15	* 1115 400 8200	1	Dust cap → X 13 927 613 (04.1985)
			□ 16
16	* 1110 145 9001	1	Plug → X 13 927 613 (04.1985)
17	* 9047 319 0340	2	Pan head screw M3x8 → X 13 927 613 (04.1985)
18	* 1110 404 4200	1	Felt wick → X 13 927 613 (04.1985)
19	*	1	Ignition lead 320 mm (D) → X 13 927 613 (04.1985)
	* 0000 405 0600	1	Ignition lead 1 m (B) → X 13 927 613 (04.1985)
	* 0000 930 2251	1	Ignition lead 10 m (B) → X 13 927 613 (04.1985)
20	* 1108 440 1101	1	Short circuit wire → X 13 927 613 (04.1985)
21	* 1108 400 1200	1	Flywheel → X 13 927 613 (04.1985)
22	* 9021 319 0670	2	Pan head screw M4x14 → X 13 927 613 (04.1985)
24	* 9211 260 1340	1	Hexagon nut M10x1 → X 13 927 613 (04.1985)
25	* 1108 086 0500	1	Fanwheel → X 13 927 613 (04.1985)
27	* 9044 319 0660	3	Pan head screw M4x12 → X 13 927 613 (04.1985)



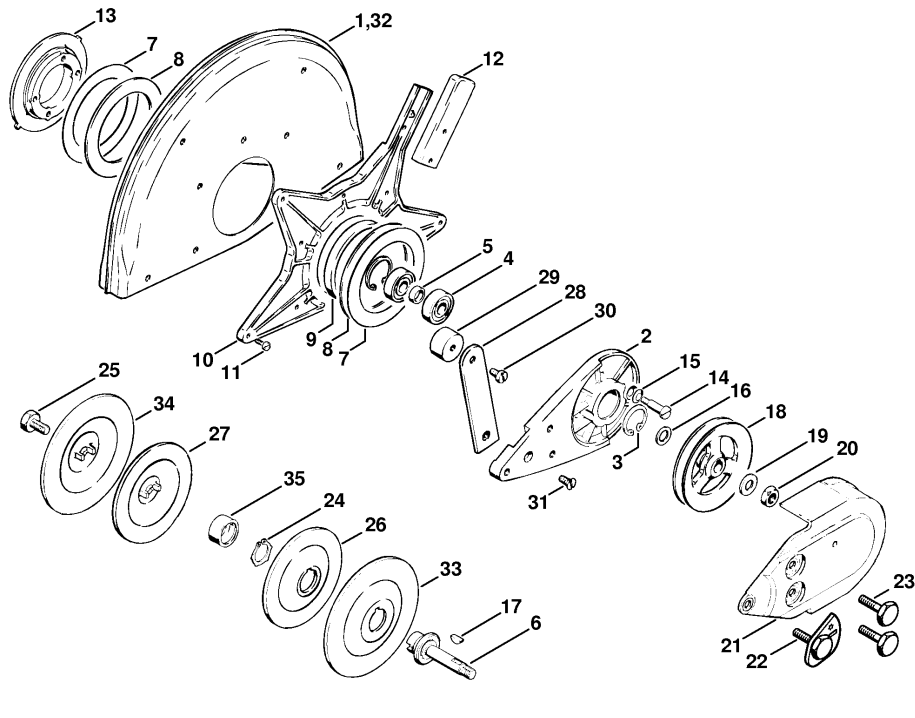
330ET065 GM

Reference	Item number	Qty	Description
1	* 4201 700 6801	1	Bracket (B) (38.1995)
2	* 9022 313 0710	3	Spline screw IS-M4x20 (B) (38.1995)
3	* 4201 676 0801	1	Shut-off cock 1/4" (B) (38.1995)
4	* 9636 965 1430	1	Sealing ring 14x18 (B) (38.1995)
5	* 4201 677 7802	1	Reducer 1 1/8", A 1/4" (B) (38.1995)
6	* 4201 677 1007	1	Union (B) (38.1995)
7	* 4201 677 1008	2	Elbow union 1/8" (B) (38.1995)
8	* 4201 677 8400	1	Banjo bolt (B) (38.1995)
9	* 4201 708 8400	2	Banjo bolt (B) (38.1995)
10	* 9041 216 0950	2	Pan head screw M5x10 (B) (38.1995)
11	* 9211 021 8900	2	Hexagon nut G 1/8" (B) (38.1995)
12	* 4201 678 1110	1	Hose 80 mm / 3 3/16" (B) (38.1995)
13	* 4201 678 1111	1	Hose 195 mm / 7 1/2" (B) (38.1995)
	* 4201 670 1600	1	Coupling (B) (38.1995) □ 4, 14 - 16
14	* 4201 670 1700	1	Coupling sleeve 1/2" (B) (38.1995)
15	* 4201 700 7300	1	Hose connector (B) (38.1995) □ 16
16	* 9645 945 7506	1	O-ring 10x3 (B) (38.1995)
17	* 4201 670 1705	1	Coupling sleeve 3/4" (B) (38.1995)
18	* 9048 319 0710	3	Pan head screw M4x20 (B) (09.1994)

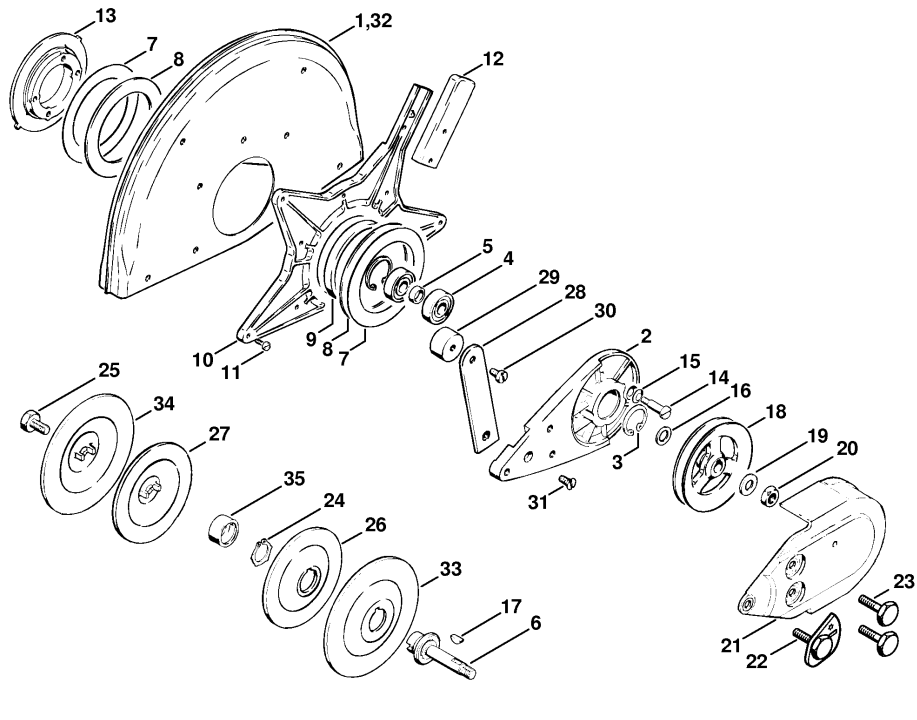


330ET024-L

Reference	Item number	Qty	Description
1	* 4309 670 6002	1	Water tank (B,C) (23.1996) □ 2 - 18
2	* 4309 670 6500	1	Handle with rod (B) (23.1996) □ 3 - 8
3	* 4309 676 2500	1	Spring (B) (23.1996)
4	* 9062 319 0630	2	Countersunk screw M4x8 (B) (23.1996)
5	* 4309 676 2600	1	Piston rod guide (B) (23.1996)
6	* 9223 260 1100	1	Square nut M8 (B) (23.1996)
7	* 4309 676 2700	1	Piston (B) (23.1996)
8	* 4309 679 0400	1	Piston packing (B) (23.1996)
9	* 4309 676 2800	1	Shroud (B) (23.1996)
10	* 4309 670 6600	1	Pump barrel (B) (23.1996) □ 11 - 13
11	* 9645 945 8024	1	O-ring 42x4 (B) (23.1996)
12	* 4309 670 4500	1	Insert (B) (23.1996) □ 13
13	* 4309 678 1700	1	Spring (B) (23.1996)
14	* 4309 678 1000	1	Pressure gauge (B) (23.1996)
15	* 4309 679 0300	3	Sealing ring (B) (23.1996)
16	* 4309 678 1500	1	Safety valve (B) (23.1996)
17	* 4309 676 3000	1	Guard ring (B) (23.1996)
18	* 4309 678 1900	1	Hose nipple (B) (23.1996)
19	* 9771 021 1400	1	Hose clip 14-9 (B) (23.1996)
20	* 4309 678 1100	1	Hose 4 m / 158" (B) (23.1996)
21	* 4201 670 1700	1	Coupling sleeve 1/2" (B) (23.1996)
22	* 4201 700 7300	1	Hose connector (B) (23.1996) □ 23
23	* 9645 945 7506	1	O-ring 10x3 (B) (23.1996)
24	* 4201 670 1705	1	Coupling sleeve 3/4" (B) (23.1996)



Reference	Item number	Qty	Description
	* 4201 007 1035	1	Support with guard Ø 300 mm / 12" (C) J (38.1995) □ 1 - 27
1	* 4201 700 8103	1	Guard Ø 300 mm / 12" (38.1995)
2	* 4205 791 3902	1	Support (38.1995)
3	* 9456 621 3600	2	Circlip 32x1.2 (38.1995)
4	* 9503 003 6440	2	Grooved ball bearing 6201-2RS (38.1995)
5	* 0000 961 1206	1	Ring (38.1995)
6	* 4201 704 0504	1	Shaft (38.1995)
7	* 4201 706 9202	2	Washer (38.1995)
8	* 4201 706 9201	2	Washer (38.1995)
9	* 4201 706 8801	1	Rubber ring (38.1995)
10	* 4205 706 2900	1	Flange (38.1995)
11	* 9079 346 0660	9	Flat head screw M5x12 (38.1995)
12	* 4201 706 2600	1	Adjusting lever (38.1995)
13	* 4205 706 2903	1	Flange (38.1995)
14	* 9086 216 1320		Flat head screw M6x20 (quantity as required) (38.1995)
15	* 9486 648 1010		Cup spring 15x8.2x0.6 (quantity as required) (38.1995)
16	* 0000 958 1212	1	Washer (38.1995)
17	* 4223 036 8600	1	Woodruff key (38.1995)
18	* 4201 704 1000	1	V-belt pulley (38.1995)
19	* 9291 021 0200	1	Washer 10.5 (38.1995)
20	* 9211 260 1350	1	Hexagon nut M10x1 l/h thread (38.1995)
21	* 4201 700 8116	1	Guard (38.1995)
22	* 4201 760 9500	1	Adjusting screw (38.1995)
23	* 4201 708 8401	2	Hexagon head screw M8x42 (38.1995)
24	* 9450 721 2150	1	Circlip 20x1.2 (38.1995)
25	* 4201 708 8402	1	Hexagon head screw M10x18 (38.1995)
26	* 4201 708 3004	1	Thrust washer Ø 103 mm (38.1995)
27	* 4201 708 3014	1	Thrust washer Ø 103 mm (38.1995)



Reference	Item number	Qty	Description
	* 4201 007 1040	1	Support with guard Ø 300 mm / 12" (C) USA (38.1995) □ 1 - 31
28	* 4201 790 6005	1	Limit stop (38.1995)
29	* 4201 790 9302	1	Rubber buffer (38.1995)
30	* 9041 216 1230	1	Pan head screw M6x8 (38.1995)
31	* 9062 319 1260	1	Countersunk screw M6x12 (38.1995)
	* 4205 007 1035	1	Support with guard Ø 350 mm / 14" (C) J (38.1995) □ 2 - 25, 32 - 34
32	* 4205 700 8100	1	Guard Ø 350 mm / 14" (38.1995)
33	* 4205 708 3000	1	Thrust washer Ø 118 mm (38.1995)
34	* 4205 708 3010	1	Thrust washer Ø 118 mm (38.1995)
	* 4205 007 1040	1	Support with guard Ø 350 mm / 14" (C) USA (38.1995) □ 2 - 32
35	* 0000 708 4200	1	Shaft sleeve (B) (38.1995)